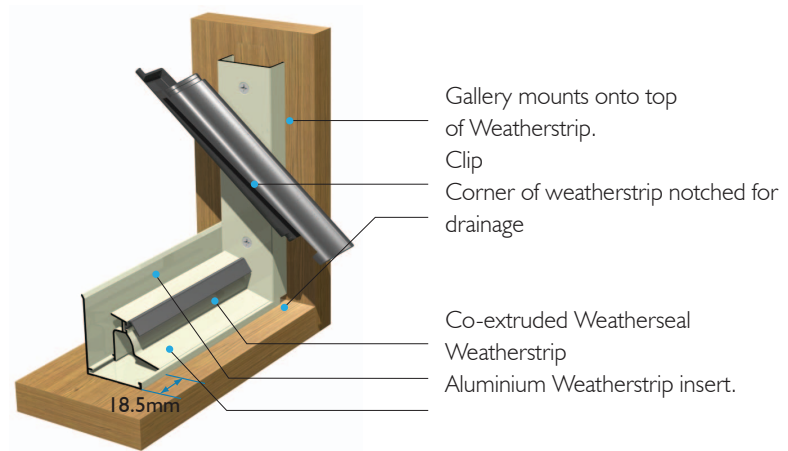
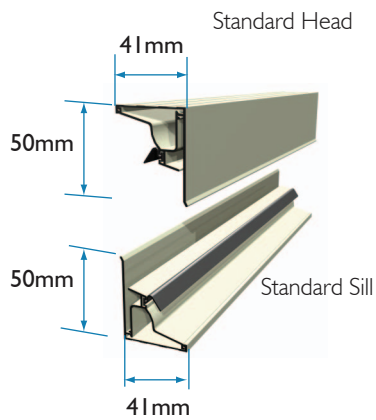


Weatherstrip: Standard Height



- The same Weatherstrip is used on both the head and sill for standard glass, aluminium and timber louvres.
- When water pass pressures greater than 300Pa are required, High Profile Sill Weatherstrips must be used. The High Profile Sill weatherstrip has an upstand 66.5mm high.
- Weatherstrip, complete with seal, must be used to gain manufacturer's performance warranty.
- Weatherstrips to head and sill add 10mm to overall gallery height.